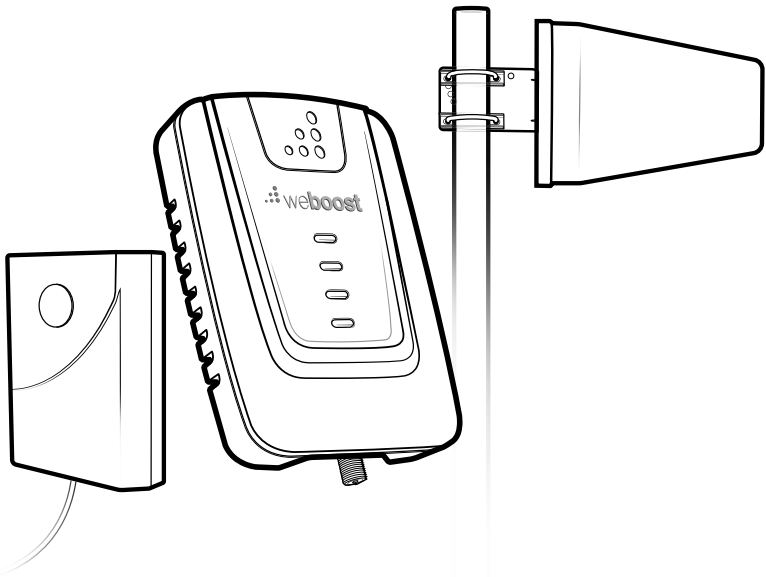


CONNECT RV 65

RV Cellular Signal Booster
With Telescoping Pole



User Manual

Index

Package Contents	1
STEP 1: Mount Outside Antenna	2
STEP 2: Mount Telescoping Pole To RV	3
STEP 3: Booster Location	5
STEP 4: Mount Inside Antenna	7
STEP 5: Connect Power Supply	9
Test System: Lights	10
Safety Guidelines	12
Specifications	14
Warranty	15

Package Contents

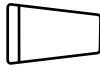
Contents of **Box 1**



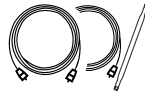
Booster



Inside Antenna



Outside Antenna

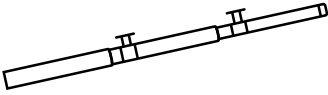


Coax Cables
2 - 15ft. 1 - 30ft.
+ Flat Cable



Power Supply

Contents of **Box 2**



Telescoping Pole



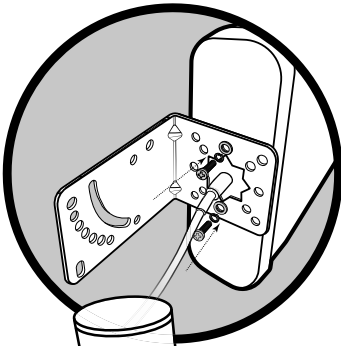
Ground Mount



Wall Mounts

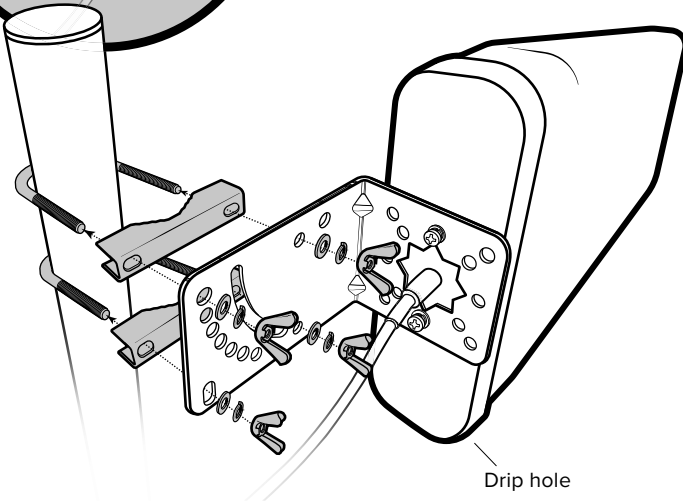
Step 1: Mount Outside Antenna To Telescoping Pole

Mount outside antenna to telescoping pole (using the included hardware). See examples below.



Run the coax cable through L-Bracket and mount using the phillips screws and lock washers.

NOTE: Do not over tighten.

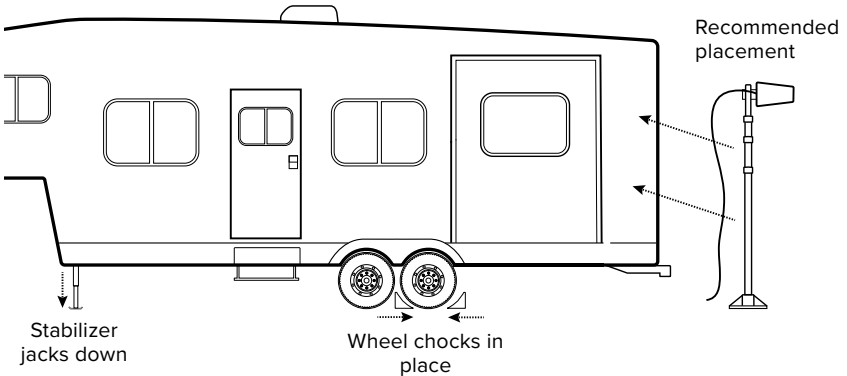


Connect coax cable to outside antenna after mounting to telescoping pole.

Step 2: Mount Telescoping Pole To Side Of RV

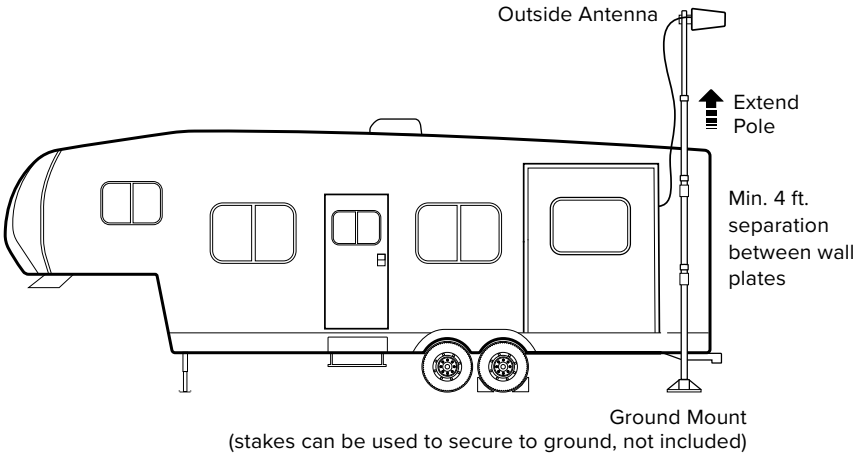
Determine where you want to mount telescoping pole on your RV. Extend pole to maximum height. Use wall mount plates and ground mount to secure pole. We recommend mounting near slider or toy hauler ramp door on the side.

NOTE: DO NOT INSTALL POLE ON RV UNTIL STABILIZER JACKS AND WHEELS CHOCKS ARE IN PLACE AND RV IS IMMOBILIZED.



WARNING: Check for and avoid any powerlines or overhead obstructions there may be.

(STEP 2 Mounting Telescoping Pole cont.)



Clean the flat surface of the RV where wall mounts will be placed. Fully extend the pole and attach the wall mount to the top black 'foot' mount located on the pole. Remove the adhesive backer and, making sure the pole is level at a 90° angle, firmly attach the wall mount to the RV near the top. There must be at least 4' of separation between the top and bottom mounts for best performance. Next, attach the other wall mount to the bottom foot mount located on the pole and insert the attached pin. Then remove the adhesive backer and stick to the clean, flat surface.

RVs With Corrugated Sides

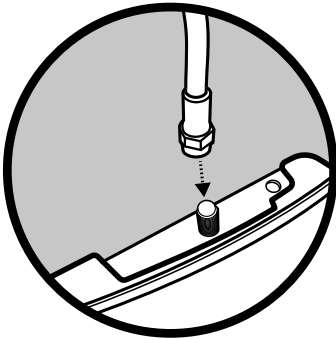
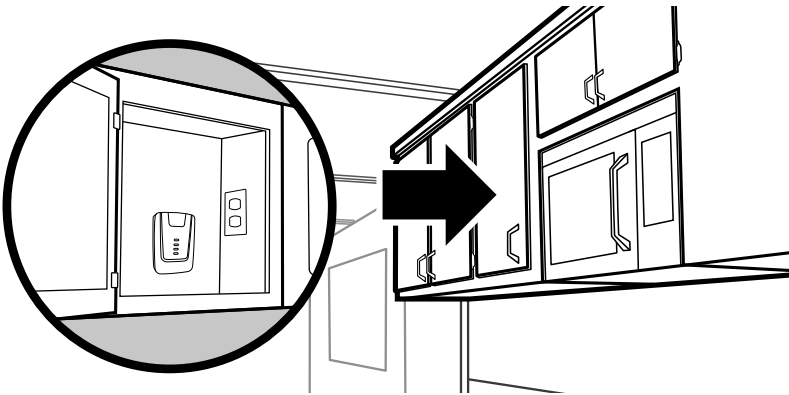
We recommend using the side of a slider. Just ensure the following:

- There is enough clearance for the wall mount to be retracted into the slider.
- There is still 4' of separation.

Step 3: Booster Location

Find a location to place the booster inside the RV and connect cable from outside antenna to port on booster labeled 'Outside Antenna'. We recommend routing the cable through the slider gasket OR through the back door of a toy hauler using the flat cable provided.

NOTE: We recommend in a cabinet near a power source. Be sure it's in a location that the 30' RG-6 cable can reach.

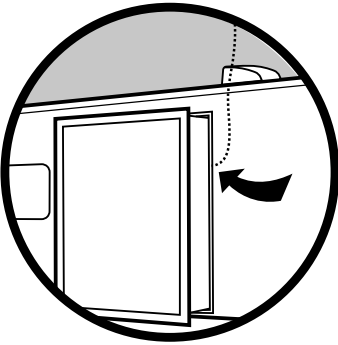


Connect cable from outside antenna to port on booster labeled 'Outside Antenna'.

NOTE: Do not over tighten.

(STEP 3 Booster Location cont.)

Run cable through the slider on your RV (using the slider gasket as a seal) OR through the back door of a toy hauler using the flat cable provided. For toy haulers, we recommend using the flat cable and closing this in the back ramp door.

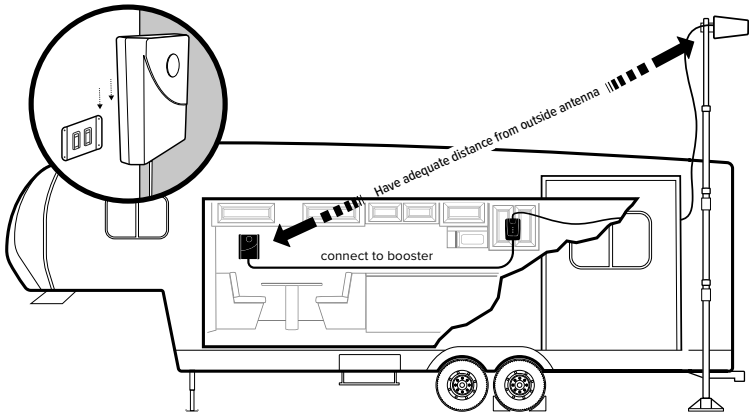


NOTE: Do not fully extend your slide until you route the cable through, then it may be fully extended.

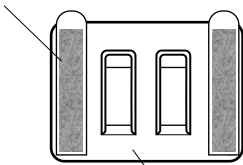
TIP: It's easiest to create a loop with the coax cable, lift up the gasket, and push the loop through the other side.

Step 4: Mount Inside Antenna

Mount inside antenna using included 3M command strips and connect coax cable. Be sure to have adequate distance from outside antenna.

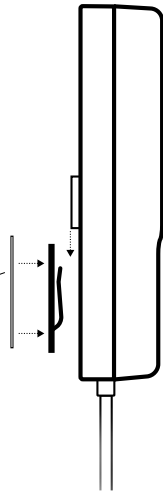


3M Command Strips

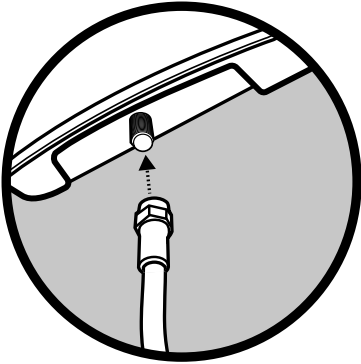


Wall Bracket

Apply 3M Command Strips on wall bracket



(STEP 4 Mount Inside Antenna cont.)

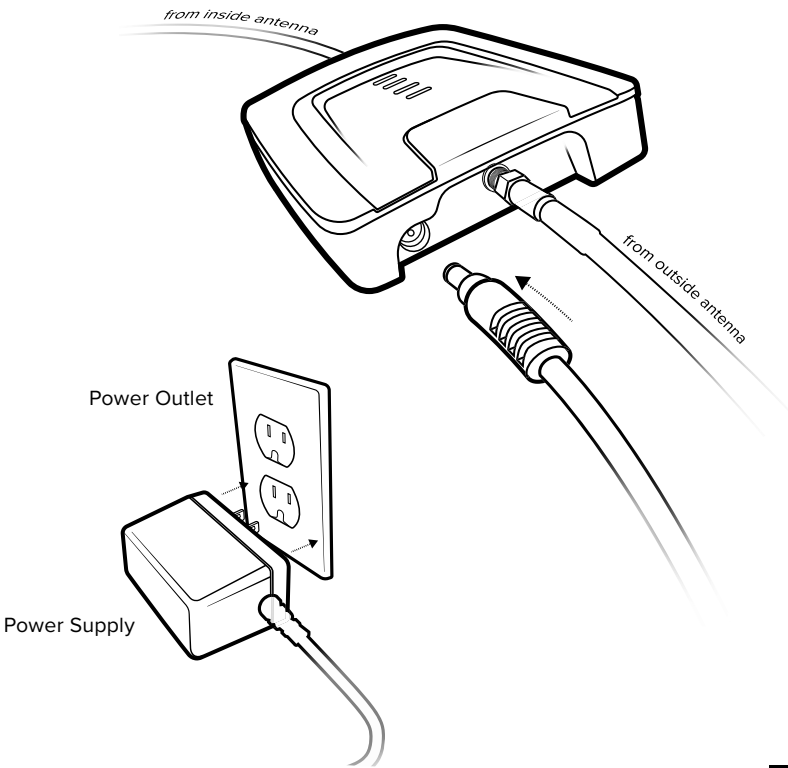


Connect coax cable to inside antenna and to booster port labeled 'Inside Antenna'.

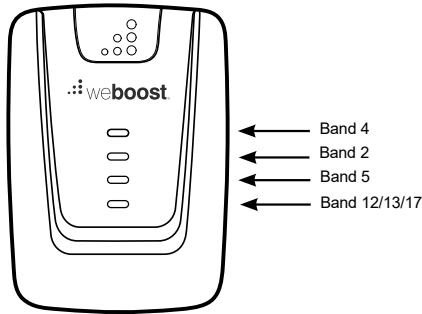
Step 5: Connect Power Supply

Connect power supply to booster. Plug the power supply into a 120V power outlet in the RV. If your Connect RV 65 is working correctly, the lights will be green (for blinking lights see 'Test System: Lights' section).

NOTE: Use Open Signal App to point the outside antenna toward the nearest cell phone tower. Twist the telescoping pole to prevent the cable from 'clinking' against the pole.



Test System: Lights



Each light corresponds to a frequency band.



IMPORTANT: To get an accurate reading of the lights, unplug and re-plug the power supply from the Booster.

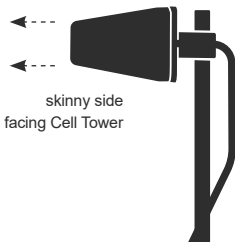
No Lights

Booster does not have power. Un-plug and securely re-plug in power supply.

Fix Any Red Light Problems (red indicates oscillation)

• If you are happy with coverage, red lights don't have to be resolved.

- **Solid Red** = Band has shut off
- **Blinking Green/Red** = Band has reduced gain



- 1 Verify Outside Antenna faces away from the Inside Antenna. Un-plug and re-plug in power supply.
- 2 Verify the Inside Antenna is at least 18" from the Booster and pointed away from the Booster. Un-plug and re-plug in power supply.
- 3 Tighten all cable connections. You may want to undo and redo the connection completely. Un-plug and re-plug in power supply.
- 4 BEST: Increase the distance (horizontally or vertically) between the Outside and Inside Antenna. Add cable if needed. Un-plug and re-plug in power supply.

(TEST SYSTEM: LIGHTS cont.)

Fix Any Orange Light Problems (orange indicates a cell tower is close by)

If you are happy with coverage, orange lights don't have to be resolved

- **Solid Orange** = Band has shut off
- **Blinking Green/Orange** = Band has reduced gain.

- 1** If the light is **solid orange**, the Outside Antenna must be adjusted (see below). Wait 10 seconds between adjustments for the lights to reset.
 - Rotate the Outside Antenna away from the strongest cellular signal in small increments (45°) until the light turns **green**. Un-plug and re-plug power supply.
- 2** If the light is **blinking green/orange**, re-locate the Outside Antenna. Un-plug and re-plug power supply.

All Green Lights? = Band is set up optimally. Verify you have good coverage.

If you have green lights, but poor coverage:

- Rotate the Outside Antenna in small increments. Un-plug and re-plug power supply.
- Move the Outside Antenna to a different location. Un-plug and re-plug power supply.

NEED HELP?



support.weboost.com



866.294.1660

Safety Guidelines

Warnings

To uphold compliance with network protection standards, all active cellular devices must maintain at least six feet of separation distance from Inside Panel and Dome antennas and at least four feet of separation distance from desktop Antenna.

Use only the power supply provided in this package. Use of a non-weBoost product may damage your equipment.

The Signal Booster unit is designed for use in an indoor, temperature-controlled environment (less than 100 degrees Fahrenheit). It is not intended for use in attics or similar locations subject to temperatures in excess of that range.

RF Safety Warning: Any antenna used with this device must be located at least 8 inches from all persons.

This is a CONSUMER device.

BEFORE USE, you **MUST REGISTER THIS DEVICE** with your wireless provider and have your provider's consent. Most wireless providers consent to the use of signal boosters. Some providers may not consent to the use of this device on their network. If you are unsure, contact your provider.

In Canada, **BEFORE USE** you must meet all requirements set out in ISED CPC-2-1-05.

You **MUST** operate this device with approved antennas and cables as specified by the manufacturer. Antennas **MUST** be installed at least 20 cm (8 inches) from (i.e., **MUST NOT** be installed within 20 cm of) any person.

You **MUST** cease operating this device immediately if requested by the FCC (or ISED in Canada) or licensed wireless service provider.

WARNING. E911 location information may not be provided or may be inaccurate for calls served by using this device.

This device may be operated **ONLY** in a fixed location (i.e., may operate in a fixed location only) for in-building use.

This device complies with Part 15 of FCC rules. Operation is subject to two conditions: (1) This device may not cause harmful interference, and (2) this device must accept any interference received, including interference that may cause undesired operation. Changes or modifications not expressly approved by weBoost could void the authority to operate this equipment.

FOR MORE INFORMATION ON REGISTERING YOUR SIGNAL BOOSTER WITH YOUR WIRELESS PROVIDER, PLEASE SEE BELOW:

Sprint: http://www.sprint.com/legal/fcc_boosters.html

T-Mobile/MetroPCS: <https://support.t-mobile.com/docs/DOC-9827>

Verizon Wireless: <http://www.verizonwireless.com/wcms/consumer/register-signal-booster.html>

AT&T: <https://securec45.securewebsession.com/attsignalbooster.com/>

U.S. Cellular: <http://www.uscellular.com/uscellular/support/fcc-booster-registration.jsp>

Antenna Kit Options

The following accessories can be used with the **Connect RV 65**.

INSIDE ANTENNA EXPANSION KITS

Kit 309900-50N
2- Wall Panel Antennas
1- 50 ohm 3-Way Splitter

Kit 309905-50N
3 - Wall Panel Antennas
3- 2-Way 50 Ohm Splitters

Kit 309902-75F
2 - Wall Panel Antennas
1-3-Way 75Ohm Splitter

Kit 309903-75F
3 - Wall Panel Antennas
3- 2-Way 75Ohm Splitters

Kit 309904-75F
1 - Wall Panel Antenna
1- 2-Way 75 Ohm Splitter

Kit 301213
Desktop Antenna w/ 5' RG174

INSIDE ANTENNAS

Kit 311155-0630
75 Ohm Wall Mount Panel Antenna
30' RG6 Cable

Kit 311135-5820
50 Ohm Wall Mount Panel Antenna
20' RG58 Cable

Kit 311135-40060
50 Ohm Wall Mount Panel Antenna
60' LMR400 Cable

Kit 311155-1150
75 Ohm Wall Mount Panel Antenna
50' RG11 Cable

Kit 311155-40060
75 Ohm Wall Mount Panel Antenna
60' LMR400 Cable

Kit 304412-40010
50 Ohm 4G Dome Antenna
10' Wilson400 Cable

Kit 304412-5810
50 Ohm 4G Dome Antenna
10' RG58 cable

Kit 304419-1110
75 Ohm 4G Dome Antenna
10' RG 11 cable

Kit 304419-17410
75 Ohm 4G Dome Antenna
10' RG174 cable
*May need separate adapter

Kit 304419-0610
75 Ohm 4G Dome Antenna
10' RG6 cable

50 OHM OUTSIDE ANTENNA KITS

Kit 314453-5825
50 Ohm Pole Mount Panel Antenna
25' RG58 Cable

Kit 314411-5825
50 Ohm Wide Band Directional
25' RG58 Cable

Kit 301111-5850
Yagi Directional Antenna
50' RG58 Cable

Kit 311203-5820
Omni-Directional Antenna
20' RG58 Cable

Kit 314411-40075
50 Ohm Wide Band Directional
75' LMR400 Cable

Kit 311203-40020
Omni-Directional Antenna
20' LMR400 Cable

Kit 301111-400170
Yagi Directional w/ N-Female
170' LMR400

Kit 314453-40075
50 Ohm Pole Mount Panel Antenna
75' LMR400 Cable

Kit 304422-40020
50 Ohm 4G Omni Antenna
20' Wilson400 cable

Kit 304422-5810
50 Ohm 4G Omni Antenna
10' RG58 cable
*May need separate adapter

Kit 304422-1120
50 Ohm 4G Omni Antenna
20' RG11 cable
*May need separate adapter

Mini-Mag
301126 w/ 12.5 RG174 cable- SMA

75 OHM OUTSIDE ANTENNA KITS

Kit 301111 - 0675
Yagi Directional Antenna
75' RG6 Cable
N-Male to F-Female adapter

Kit 314473 -0640
75 Ohm Pole Mount Panel Antenna
40' RG6 Cable

Kit 314475 - 0630

75 Ohm Wide Band Directional
30' RG6 Cable

Kit 311141 - 0620
75 Ohm Grey Brick Antenna
20' RG6 Cable

Kit 301111 - 11140
Yagi Directional Antenna
140' RG11 Cable

N-Male to F-Female adapter

Kit 314473 -1175
75 Ohm Pole Mount Panel Antenna
75' RG11 Cable

Kit 314475 - 1175
75 Ohm Wide Band Directional
75' RG11 Cable

Kit 311141 - 1120
75 Ohm Grey Brick Antenna
20' RG11 Cable

Kit 304421-1120
75 Ohm 4G Omni Antenna
20' RG 11 cable

Kit 304421-17410
75 Ohm 4G Omni Antenna
10' RG174 cable
*May need separate adapter

Kit 304421-0610
75 Ohm 4G Omni Antenna
10' RG6 cable

Kit 304421-5810
75 Ohm 4G Omni Antenna
10' RG58 cable
*May need separate adapter

Specifications

Connect RV 65					
Model Number	460020				
FCC ID	PWO460020				
IC	4726A-460020				
Connectors	F-Female				
Antenna Impedance	75 Ohms				
Frequency	698-716 MHz, 746-787 MHz, 824-894 MHz, 1850-1995 MHz, 1710-1755/2110-2155 MHz				
Power output for single cell phone (Uplink) dBm	700 MHz Band17 23.94	700 MHz Band13 24.19	800 MHz Band 5 23.49	1700 MHz Band 4 24.55	1900 MHz Band 25/2 23.61
Power output for single cell phone (Downlink) dBm	700 MHz Band17 11.64	700 MHz Band13 11.92	800 MHz Band 5 12.1	2100 MHz Band 4 11.9	1900 MHz Band 25/2 9.5
Noise Figure	5 dB nominal				
Isolation	> 110 dB				
Power Requirements	AC / DC 5V, 4.0A, w/2.5x5.5mm Jack				

The term "IC" before the radio certification number only signifies that Industry Canada technical specifications were met.

Each Signal Booster is individually tested and factory set to ensure FCC compliance. The Signal Booster cannot be adjusted without factory reprogramming or disabling the hardware. The Signal Booster will amplify, but not alter incoming and outgoing signals in order to increase coverage of authorized frequency bands only. If the Signal Booster is not in use for five minutes, it will reduce gain until a signal is detected. If a detected signal is too high in a frequency band, or if the Signal Booster detects an oscillation, the Signal Booster will automatically turn the power off on that band. For a detected oscillation the Signal Booster will automatically resume normal operation after a minimum of 1 minute. After 5 (five) such automatic restarts, any problematic bands are permanently shut off until the Signal Booster has been manually restarted by momentarily removing power from the Signal Booster. Noise power, gain, and linearity are maintained by the Signal Booster's microprocessor.

This device complies with Part 15 of FCC rules. Operation is subject to two conditions: (1) This device may not cause harmful interference, and (2) this device must accept any interference received, including interference that may cause undesired operation. Changes or modifications not expressly approved by weBoost could void the authority to operate this equipment.



2 YEAR WARRANTY

weBoost Signal Boosters are warranted for two (2) years against defects in workmanship and/or materials. Warranty cases may be resolved by returning the product directly to the reseller with a dated proof of purchase.

Signal Boosters may also be returned directly to the manufacturer at the consumer's expense, with a dated proof of purchase and a Returned Material Authorization (RMA) number supplied by weBoost. weBoost shall, at its option, either repair or replace the product.

This warranty does not apply to any Signal Boosters determined by weBoost to have been subjected to misuse, abuse, neglect, or mishandling that alters or damages physical or electronic properties.

Replacement products may include refurbished weBoost products that have been recertified to conform with product specifications.

RMA numbers may be obtained by contacting Customer Support

DISCLAIMER: The information provided by weBoost is believed to be complete and accurate. However, no responsibility is assumed by weBoost for any business or personal losses arising from its use, or for any infringements of patents or other rights of third parties that may result from its use.



3301 East Deseret Drive, St. George, UT

 866.294.1660  www.weboost.com  support.weboost.com

Copyright © 2016 weBoost. All rights reserved.

weBoost products covered by U.S. patent(s) and pending application(s)

For patents go to: weboost.com/us/patents