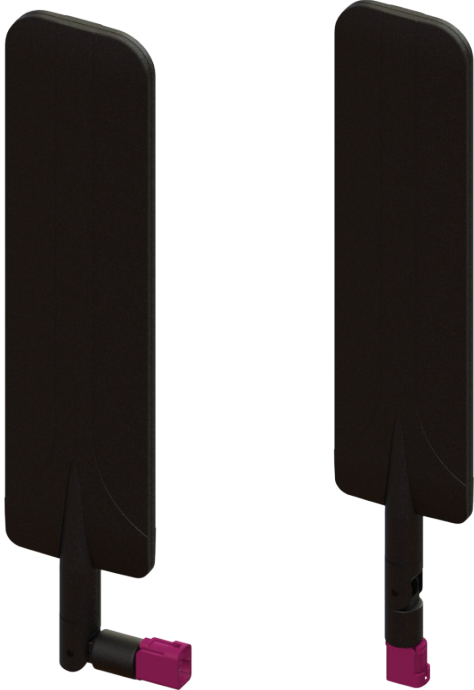


# 2G/3G/4G/5G Terminal Antenna

PWB-6-60-RFDJ



Articulated Orientation

Straight Orientation

## PWB-6-60-RFDJ

Ultra Wide Band - 2G/3G/4G/5G

Suitable for routers and terminals

Articulated FAKRA D Jack connector

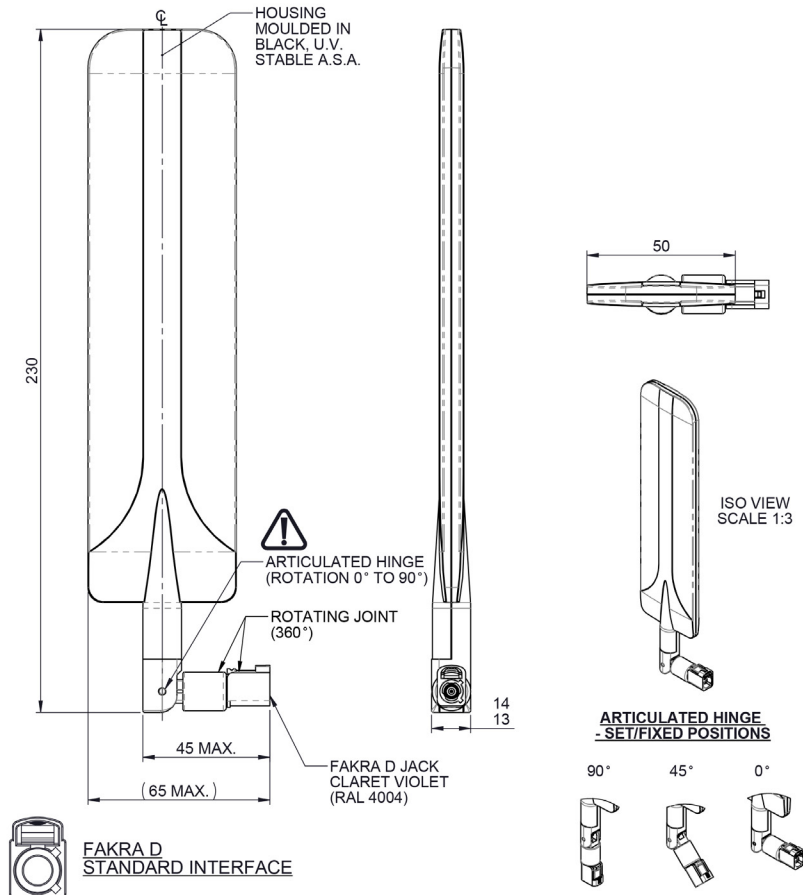
The PWB-6-60-RFDJ antenna is a ground plane independent antenna covering 615-960/1710-3800/4400-6000MHz.

Supporting 2G/3G/4G and new 5G bands the PWB-6-60-RFDJ is the ideal one-size-fits-all solution for next generation devices.

Designed for terminals and routers the PWB-6-60-RFDJ offers an articulated FAKRA D Jack connector for flexible positioning.

### Technical Drawing

PWB-6-60-RFDJ Shown



# 2G/3G/4G/5G Terminal Antenna

PWB-6-60-RFDJ

Product Data

Part No.

PWB-6-60-RFDJ

Electrical Data

Frequency Range (MHz)	698-960/1710-3800/4400-6000MHz	
Typical VSWR	<2.5:1	
Peak Gain: Isotropic+	698-960MHz	~2dBi
	1710-3800 MHz	~4dBi
	4400-6000GHz	~6dBi
Polarisation	Vertical	
Pattern	Omni-directional	
Impedance	50Ω	
Max Input Power (W)	10	

Mechanical Data

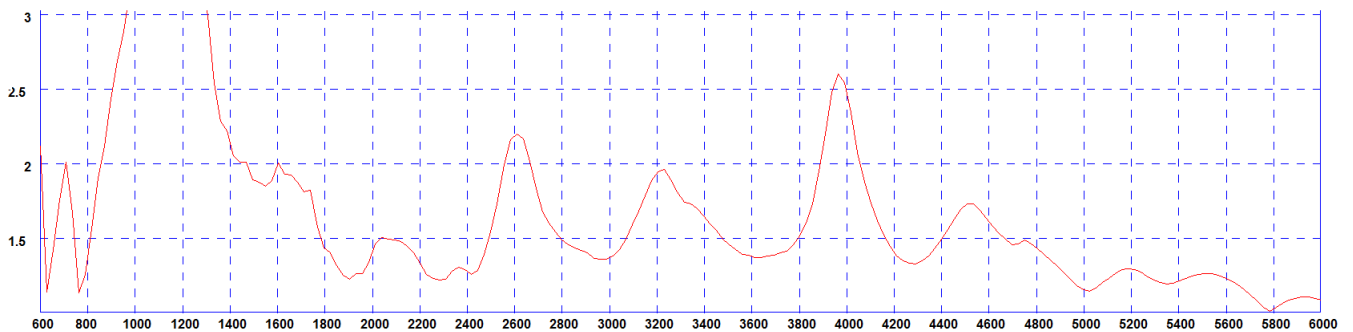
Dimensions (mm)	Length	230 (9.0")
	Width	50 (1.96")
	Thickness	13 (0.5")
Material	Black ASA	
Operating Temp (°C)	-22°/ 158°F (-30° / +70°C )	
Weight (g)	50	

Termination Data

Type	FAKRA D JACK - CLARET VIOLET (RAL 4004)
------	---

Electrical Data

Typical VSWR\*



\* VSWR measured on typical router housing