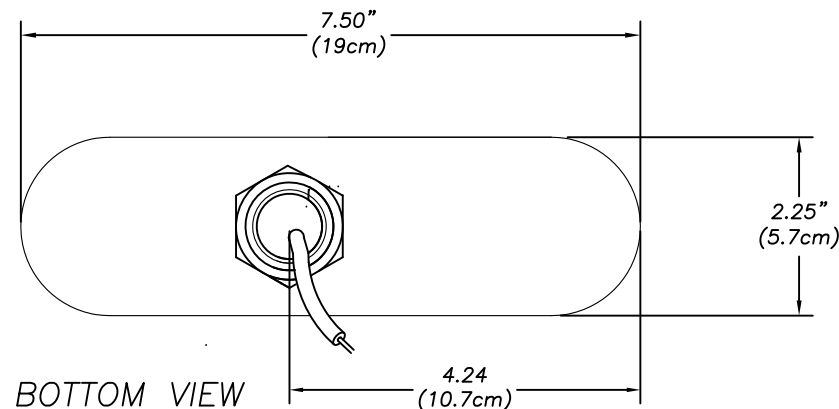
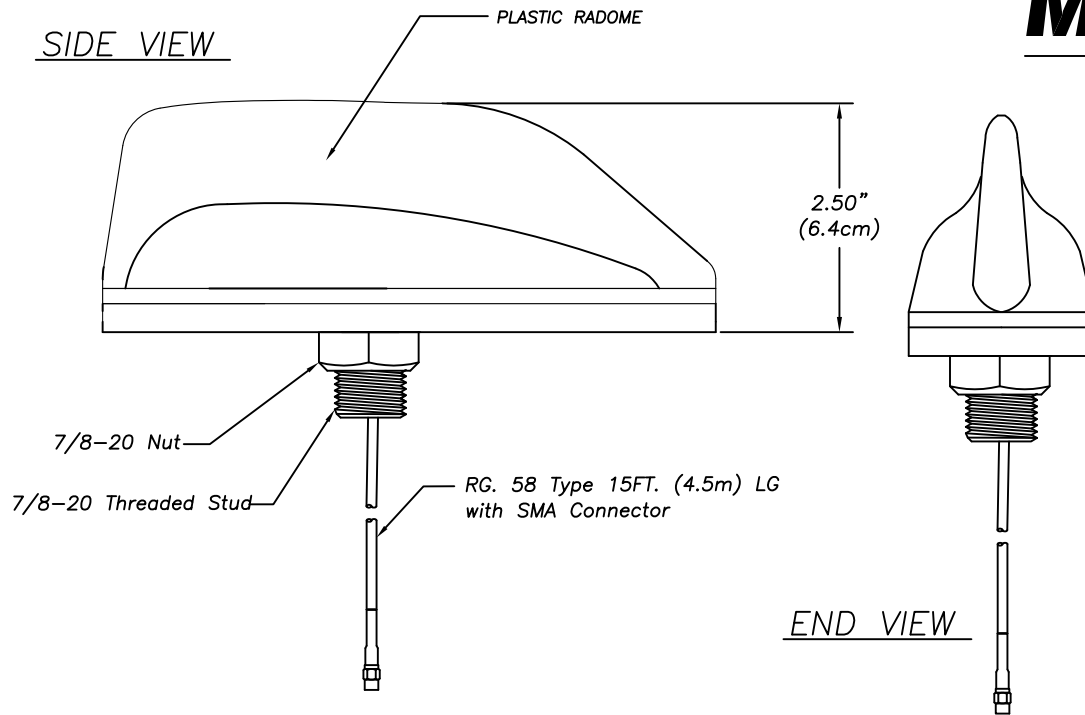


MXF-450-1C-BLK-180

Surface Mount UHF Onmi-Directional Antenna 440-470 MHz



Antenna Specifications

Frequency: 440-470 MHz.

**Gain: 2 dB

VSWR: < 2:1 VSWR over range

Maximum Power: 100 Watts

Connectors/Interface: SMA Plugs

Case: 2.25"W(5.7cm) x 7.5"L(19cm) x 2.5"H(6.4cm)

Radome Material: ASA UV Inhibitive Plastic

Cable: 15 FT. (4.5m) RG-58 Type

Impedance: 50 OHM Nominal

Water Ingress: IPX7

Shock & Vibration: Pending

Mounting: Stud Mount (7/8-20 Thread)

Mounts up to .20 thk. (5mm) Surface

Operating Temperature: -40° to +80° C

** Gain measured with 1 ft. cables on 24" Ground Plane

2/6/19 C
RCP

MobileMark
antenna solutions

US OFFICE & HEADQUARTERS: 1140 W. THORNDALE AVE. ITASCA, IL 60143
TEL: (847) 671-6690 * FAX (847) 250-5120

UK OFFICE: 8 MIRAS BUS PARK, KEYS PARK ROAD. HEDNESFORD WS12 2FS, UK.
UK TEL: (+44) 1543-459555 FAX (+44) 1543-459545

VISIT OUR WEBSITE AT WWW.MOBILEMARK.COM

