

# AP-DOUBLE CELL/LTE~TRIPLE WIFI~GPS

## ANTENNA

AP-CCWWWG

**MIMO**  
Multiple In  
Multiple Out

*The Perfect All-In-One Solution for  
your In-Vehicle Mobile Access Router*



**NEW**

Available colors: Black  or White

**The AP-Double Cell/LTE~Triple WiFi~GPS Antenna** is the all-in-one, low profile housing that provides 2 high gain Multiple-In, Multiple-Out (MIMO) Cellular/LTE antennas, 3 high gain WiFi antennas (802.11 abgn,ac), and a GPS antenna. This can come with a threaded bolt mount, permanent adhesive mount or magnetic mount; color choices of black or white.

### Key Benefits:

**Faster Data Speeds.** With the AP-Double Cell/LTE~Triple WiFi~GPS Antenna, you will get superior Cellular/LTE data throughput speeds with the Multiple-In, Multiple-Out dual antennas. Our double Cellular/LTE antenna design takes advantage of the fastest speeds that the 4G/LTE network offers. Top WiFi speeds are achieved with our Triple-WiFi antenna to off-load large amounts of data or to push software updates to your computer from your WiFi hotspot.

**GLONASS and US GPS Together:** Antenna Plus now provides antennas for both GPS systems. When used together the two satellite GPS systems have 55 combined satellites providing more ubiquitous GPS coverage in rural areas as well as dense downtown urban areas with skyscrapers. The level of accuracy is also superior compared to just the US GPS system.

**NEW**

**Bigger Wireless Footprint:** By using the AP-Double Cell/LTE~Triple WiFi~GPS Antenna, you can be farther away from a cell site or WiFi hotspot and still connect; up to 25% more wireless coverage, depending on the geography you travel in.

**One Simple Installation:** All antennas are built into one physical housing so that you only have to drill one hole for a fast and tidy installation. This reduces the need for multiple antennas on top of the vehicle.

**Long Product Life:** Our rugged, low profile design gives you protection against all of the natural hazards a vehicle faces including vibration, hot, cold, ice, salt, dirt, car washes, and tree branch sweeps. Our antennas typically outlast the life of vehicle.

**Connects to mobile data wireless routers with TWO Cellular/LTE ports, THREE WiFi ports and a GPS port.**

Product	Cell/LTE Antenna	WiFi Antenna	GPS Antenna
AP-CCWWWG	✓✓	✓✓✓	✓



### Antenna Plus LLC

8350 E. Evans Road, Suite D-2, Scottsdale, AZ 85260  
Phone: 480.657.7354 - Fax: 480.657.0204 - orders@antennaplus.com

Copyright 2016 Antenna Plus LLC: Version 3 (04/18/16)

**ANTENNAPLUS**  
www.antennaplus.com

# AP-DOUBLE CELL/LTE~TRIPLE WIFI~GPS

## Electrical Specifications

### Frequencies:

Cellular/LTE = 824-896 MHz; 1850-1995 MHz;  
 698-798 MHz; 1710-1770 MHz;  
 2110-2170 MHz; 2570-2620 MHz  
 WiFi = 2.4 & 5 GHz (802.11 a,b,g,n, ac)  
 GPS = 1575.42 MHz - 1602 MHz

**VSWR:** 1.5:1 or less at resonant point

**Gain:** 698-896 MHz: 3 dBi  
 1710-2620 MHz: 4 dBi

### Radiation Pattern:

OMNI Directional  
 Hemispherical (GPS)

### Polarization:

Vertical

## Mechanical Specifications

### Radome:

Glass Filled Polypropylene

### Cable Length:

15 feet (4.5 m) (Adhesive and Bolt Mount)  
 10 feet (3 m) (Magnet Mount)  
 Optional cable length to 35 feet

### Connectors:

The AP-Double Cell/LTE~Triple WiFi~GPS Antenna can come with any RF connectors you need to connect to your modem.

## Environmental Specifications

**Temperature:** - 40 °C to 85 °C (- 40 °F to +185 °F)  
 operating and storage

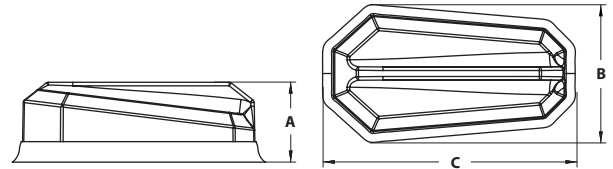
**Humidity:** (non-condensing) - 5% to 95%  
 operating and storage

**Military Spec** MIL-STD 810 conformance to thermal,  
 mechanical shock, and humidity.

## GPS Antenna Specifications

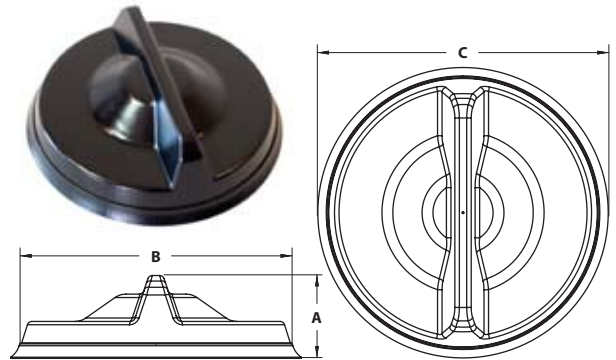
Frequency Range . . . . . 1575.42 MHz - 1602 MHz  
 Gain . . . . . 28 dB min.  
 Polarization . . . . . R.H.C.P.  
 (Right Hand Circular Polarization)  
 Noise Figure . . . . . 2.0 max.  
 Aerial Ratio . . . . . 3 dB max.  
 Bandwidth . . . . . 2 MHz min.  
 VSWR . . . . . 2.0 max.  
 Output Impedance . . . . . 50 Ohms  
 Voltage . . . . . 2.7-5.6 Volts  
 Current . . . . . 10 mA ± 0.8 mA

## Dimensions



A	B	C
2.220" (56.4 mm)	3.831" (97.3 mm)	7.000" (177.8 mm)

## Built-in Metal Ground Plane



A	B	C
2.183" (55.5 mm)	7.074" (179.7 mm)	7.650" (194.3 mm)

## Mounting Styles



**ANTENNAPLUS**  
[www.antennaplus.com](http://www.antennaplus.com)