

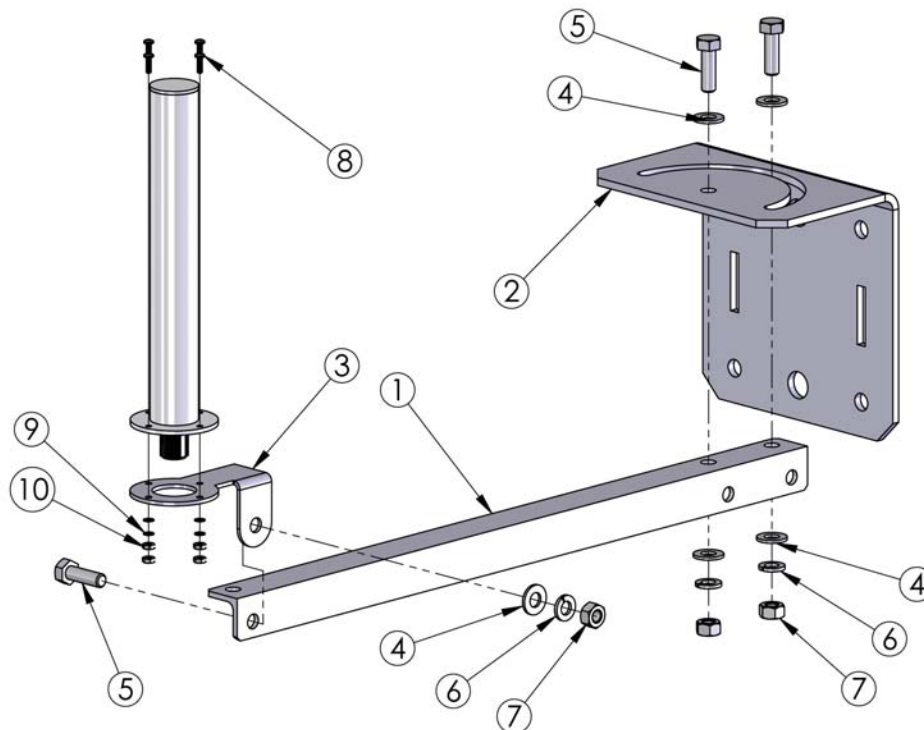
## 505-173-5-003

### Universal Wall or Ceiling Mounting Bracket for Small Omni Antennas

Mounting Instructions		
Refer to the Exploded View below for assembly of the bracket.		
Mechanical Characteristics		
Weight	2.7 kg (6 lbs)	
Parts List	Description	Quantity
Item 1	Bracket, Omni Mount Arm	1
Item 2	Bracket, Omni Mount Base	1
Item 3	Bracket, Omni Mount	1
Item 4	Washer, 5/16, (.328 x .625)	5
Item 5	Screw, 5/16-18 x 1.00, HHCS S/S	3
Item 6	Lock Washer, 5/16, S/S	3
Item 7	Nut, 5/16-18, (1/2 x 17/64), Hex Nut, 18-8 S.S.	3
Item 8	Screw, #4-40 x .38, Pan Head	4
Item 9	Fastenal #33731 4-40	4
Item 10	Hex Nut, #4-40	4
Requirements		
Installer to provide quantity (4) 3/8" hardware for mounting to structure.		



See page 3 for alternate configuration options for this bracket kit.

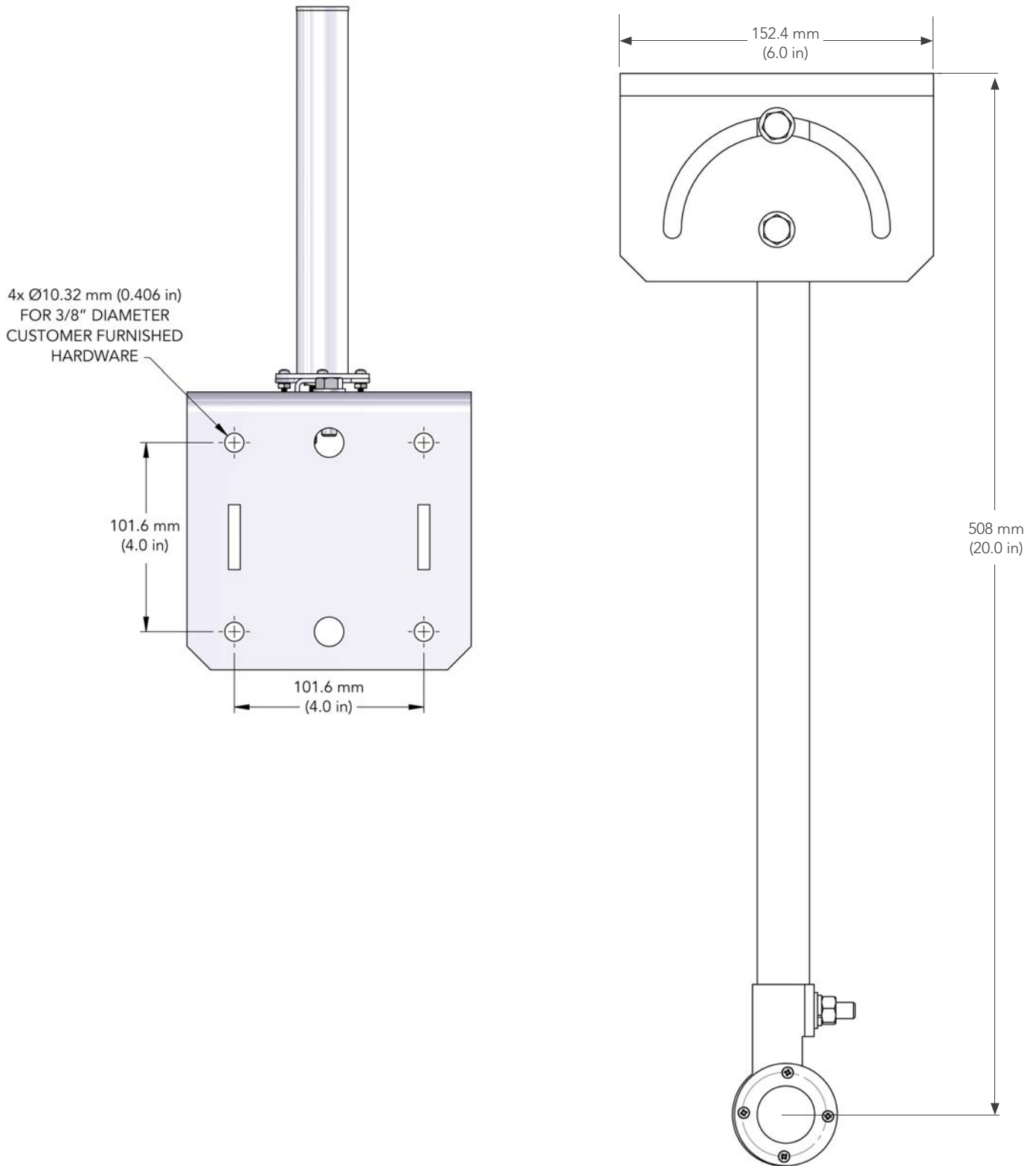


Exploded View

Quoted performance parameters are provided to offer typical or range values only and may vary as a result of normal manufacturing and operational conditions. Extreme operational conditions and/or stress on structural supports is beyond our control. Such conditions may result in damage to this product. Improvements to product may be made without notice.

505-173-5-003

Universal Wall or Ceiling Mounting Bracket for Small Omni Antennas

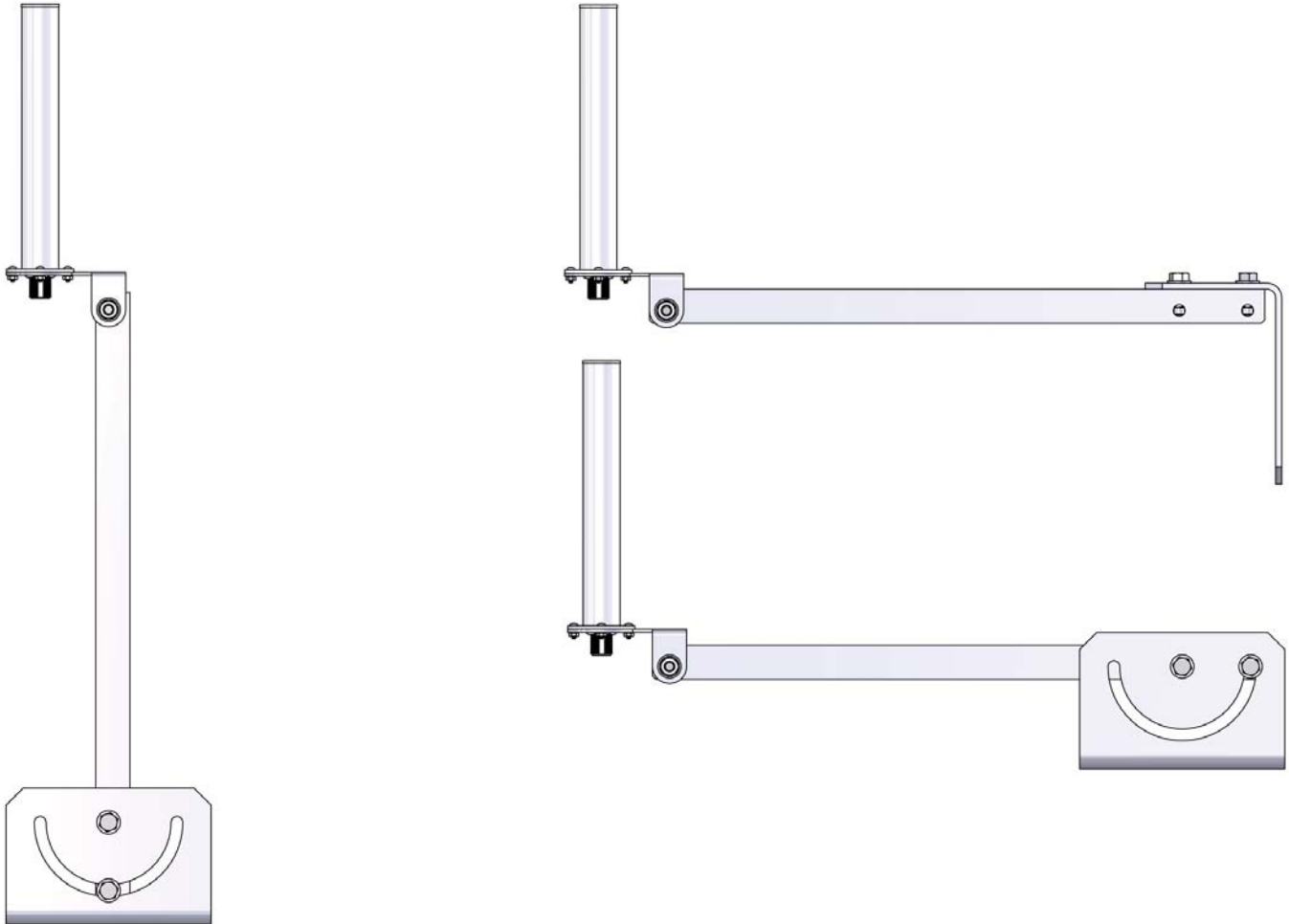


Quoted performance parameters are provided to offer typical or range values only and may vary as a result of normal manufacturing and operational conditions. Extreme operational conditions and/or stress on structural supports is beyond our control. Such conditions may result in damage to this product. Improvements to product may be made without notice.

505-173-5-003

Universal Wall or Ceiling Mounting Bracket for Small Omni Antennas

Alternate Configuration Options



Quoted performance parameters are provided to offer typical or range values only and may vary as a result of normal manufacturing and operational conditions. Extreme operational conditions and/or stress on structural supports is beyond our control. Such conditions may result in damage to this product. Improvements to product may be made without notice.