

# 901119

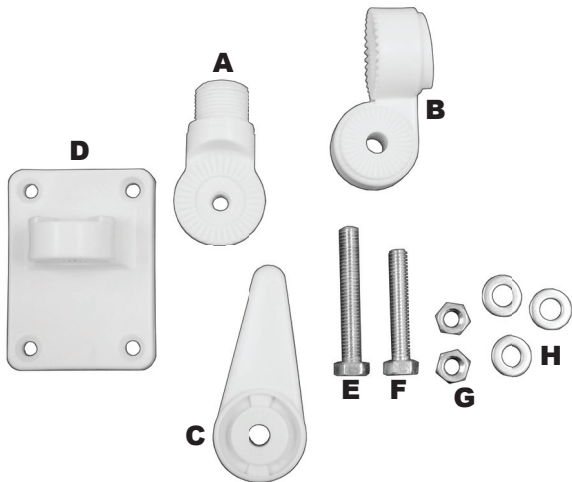
## **ASSEMBLY INSTRUCTIONS FOR THE MARINE ANTENNA MOUNT**

(Part #901119)



These instructions cover assembly of the Wilson Electronics Marine Antenna Mount (Part #901119).

If you have any questions, please contact Wilson Technical Support at 866-294-1660 or email [tech@wilsonelectronics.com](mailto:tech@wilsonelectronics.com).



### Part Descriptions:

**A** - Threaded mounting arm

**B** - Angle adjusting arm

**C** - Cinching arm

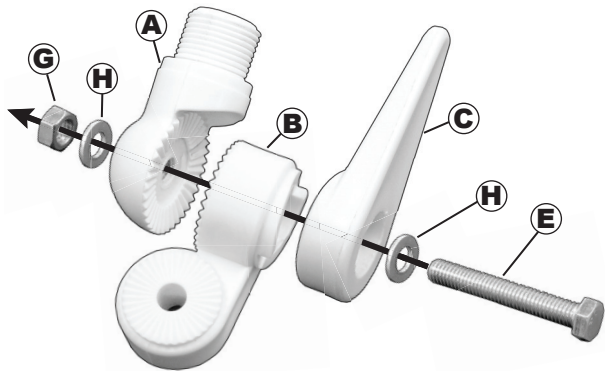
**D** - Antenna mount base

**E** - 2-1/2" Bolt

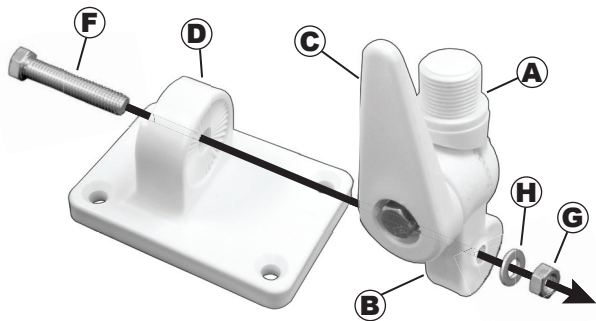
**F** - 2" Bolt

**G** - Nut (2)

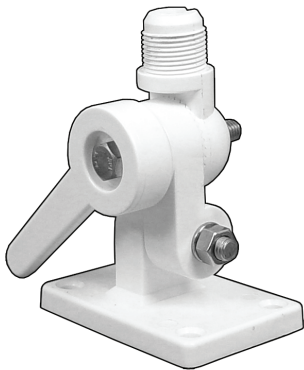
**H** - Washer (3)



1. Arrange parts **A**, **B** and **C** as shown.
2. Insert the 2-1/2" bolt (**E**) with a washer (**H**) into part **C** through part **B** and thread into part **A** until just loose enough to allow part **A** to rotate on part **B**.
3. Place washer (**H**) and nut (**G**) on the end of the 2-1/2" bolt (**E**) and tighten.
4. The position of part **A** can be locked into place by rotating the cinching arm (**C**) counter-clockwise.



5. Place the ratchet area of part **B** into the ratchet area of part **D** and insert the 2" bolt (**F**) through part **D** and part **B**.
6. Position part **B** in the proper location and lock into place with the washer (**H**) and nut (**G**).



The mount is now ready to be attached to the desired location.

Please see the instructions supplied with the marine antenna for details on the proper installation of the antenna.



© Copyright 2007 Wilson Electronics, Inc.  
All rights reserved.